

## HD-007 Ultra-high density inserts

250V 10A 7+



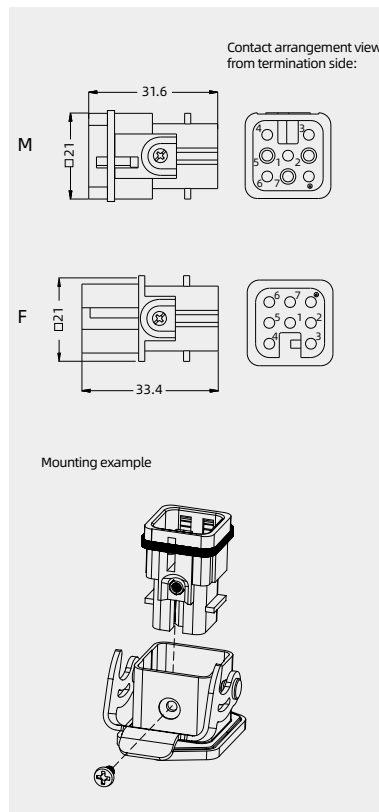
### Inserts

Hoods/Housings: **size 3A(only for plastic)**, please find the details on page 15-06~15-07.

Crimp terminal  
order crimp contacts separately



Insert	Designation	Order No.
Male	HD-007-MC	125 007 010 0001
Female	HD-007-FC	125 007 020 0001



## Crimp contacts

Crimp contacts 10A

Contact resistance  $\leq 3m\Omega$   
silver plated



gold plated



More crimp contacts 10A  
see P13-02,P13-03.

### Tools

Crimping tool

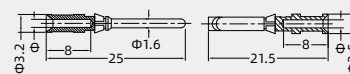


Contact removal tool



Male	Order No.	Female	Order No.
CDSM-0.25	101 017 110 0101	CDSF-0.25	101 017 120 0101
CDSM-0.37	101 017 110 0301	CDSF-0.37	101 017 120 0301
CDSM-0.50	101 017 110 0401	CDSF-0.50	101 017 120 0401
CDSM-0.75	101 017 110 0601	CDSF-0.75	101 017 120 0601
CDSM-1.0	101 017 110 0801	CDSF-1.0	101 017 120 0801
CDSM-1.5	101 017 110 0901	CDSF-1.5	101 017 120 0901
CDSM-2.5	101 017 110 1001	CDSF-2.5	101 017 120 1001

Male	Order No.	Female	Order No.
CDGM-0.25	101 017 210 0101	CDGF-0.25	101 017 220 0101
CDGM-0.37	101 017 210 0301	CDGF-0.37	101 017 220 0301
CDGM-0.50	101 017 210 0401	CDGF-0.50	101 017 220 0401
CDGM-0.75	101 017 210 0601	CDGF-0.75	101 017 220 0601
CDGM-1.0	101 017 210 0801	CDGF-1.0	101 017 220 0801
CDGM-1.5	101 017 210 0901	CDGF-1.5	101 017 220 0901
CDGM-2.5	101 017 210 1001	CDGF-2.5	101 017 220 1001



M

F

Wire gauge	$\phi$	Stripping length
0.09-0.25 mm <sup>2</sup>	AWG 28-24	0.65
0.14-0.37 mm <sup>2</sup>	AWG 26-22	0.9
0.5 mm <sup>2</sup>	AWG 20	1.1
0.75 mm <sup>2</sup>	AWG 18	1.3
1 mm <sup>2</sup>	AWG 18	1.45
1.5 mm <sup>2</sup>	AWG 16	1.75
2.5 mm <sup>2</sup>	AWG 14	2.25

When the wire gauge is less than 0.75mm<sup>2</sup>, it's better to use the auxiliary pin assembly tool TL15.

Wire gauge	Designation	Order No.
0.14-4mm <sup>2</sup>	TL02G	198 001 001 0011

For the crimping contacts and removing contacts instructions, please find the page 06-23~06-24.

Application	Designation	Order No.
for crimp contacts 10A	TL00	198 001 000 0001

More tools detail please find the page 32-03~32-06.

Notes: The tools for crimp terminal may influence the product quality and stability.  
Please select the tools recognized by our company.